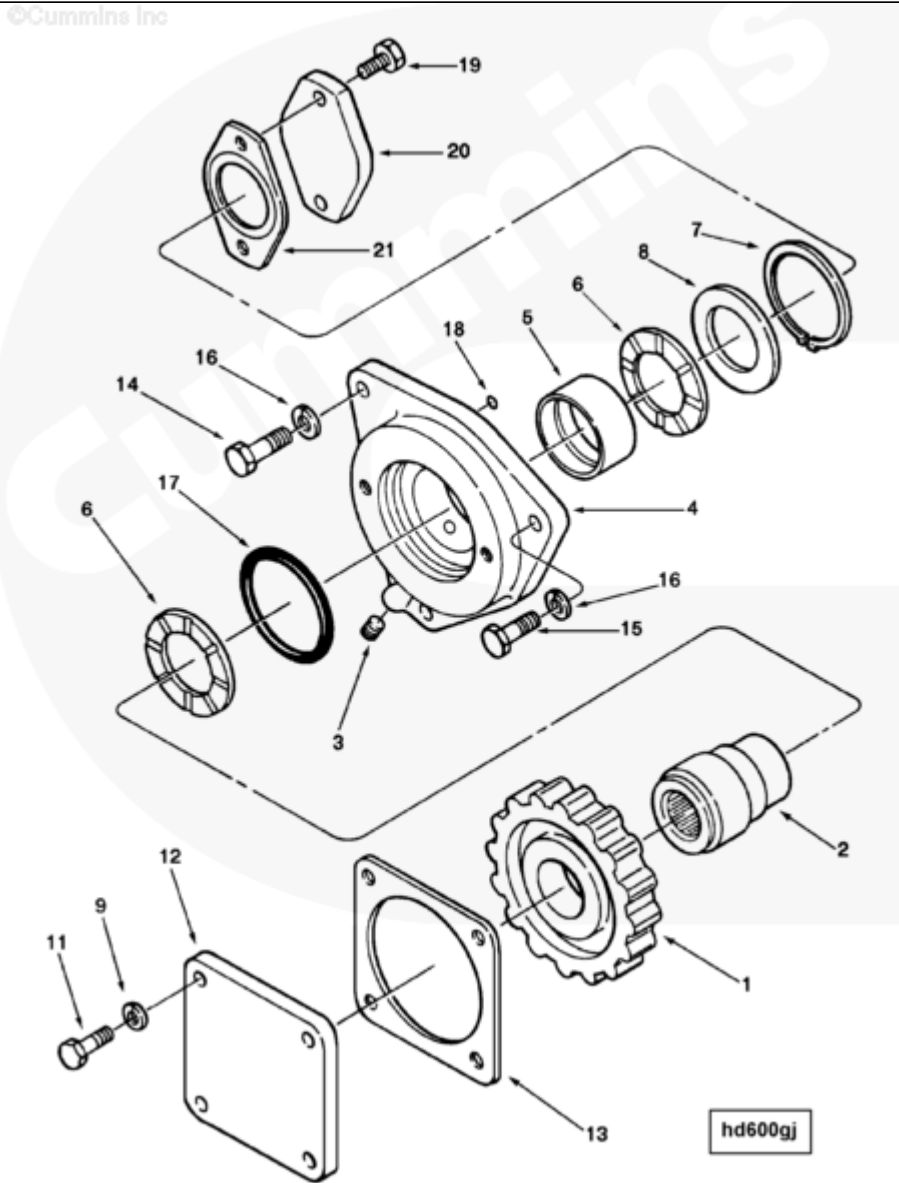




Parts Catalog - Option Detail

Electronic Parts Catalog - Option Detail				
Option	Group	Graphic	Film Card	Date
HD6002-03	12.04	hd600gj	K38	21-SEP-99
Engines	GTA38, K38, KTA38GC CM558, QSK38 CM2150 K106, QSK38 CM2150 MCRS, QSK38 CM850 MCRS			



[SMALL](#) | [MEDIUM](#) | [LARGE](#)

Cart	Ref No	Part Number	Part Description	Required	Remarks
View My Cart					
		HD6002-03	Hydraulic Pump		Hydraulic pump drive...(More)

					provisions for an SAE 'A'
					pump with an 11 tooth spline
					on the rear of the front gear
					cover, and an SAE 'B' pump
					with a 13 tooth spline on the
					front of the front gear
					cover. 1.1 to 1 speed ratio.
<input type="checkbox"/>	1	206748	Hydraulic Pump Gear	1	
<input type="checkbox"/>	2	3200942	Hydraulic Pump Drive Shaft	1	
		205711	Spline Coupling Sleeve	1	
<input type="checkbox"/>		205769	Hydraulic Pump Drive Shaft	1	
<input type="checkbox"/>		AR12780	Hydraulic Pump Support	1	
<input type="checkbox"/>	3	3628610	Pipe Plug	1	
<input type="checkbox"/>	4	206155	Hydraulic Pump Support	1	
<input type="checkbox"/>	5	3014993	Bushing	1	
<input type="checkbox"/>	6	188040	Thrust Bearing	2	
<input type="checkbox"/>	7	205781	Retaining Ring	1	
<input type="checkbox"/>	8	205784	Plain Washer		
<input type="checkbox"/>	9	111445	Lock Washer		
<input type="checkbox"/>	11	205378	Twelve Point Cap Screw	4	1/2 - 13 X 1 1/4 Inch.
<input type="checkbox"/>	12	206405	Cover Plate		
<input type="checkbox"/>	13	206407	Hand Hole Gasket	1	
<input type="checkbox"/>	14	S 162 A	Hexagon Head Cap Screw	2	7/16 - 14 X 2 3/4 in.
<input type="checkbox"/>	15	103023	Hexagon Head Cap Screw	1	7/16 - 14 X 1 in.
<input type="checkbox"/>	16	135783	Lock Washer	3	7/16 in.
<input type="checkbox"/>	17	145600	O-Ring Seal	1	
<input type="checkbox"/>	18	3818885	O-Ring Seal	1	
<input type="checkbox"/>	19	130715	Hexagon Head Cap Screw	2	3/8 - 16 X 3/4 Inch.
<input type="checkbox"/>	20	204048	Cover Plate	1	
<input type="checkbox"/>	21	3558515	Hydraulic Pump Gasket	1	

